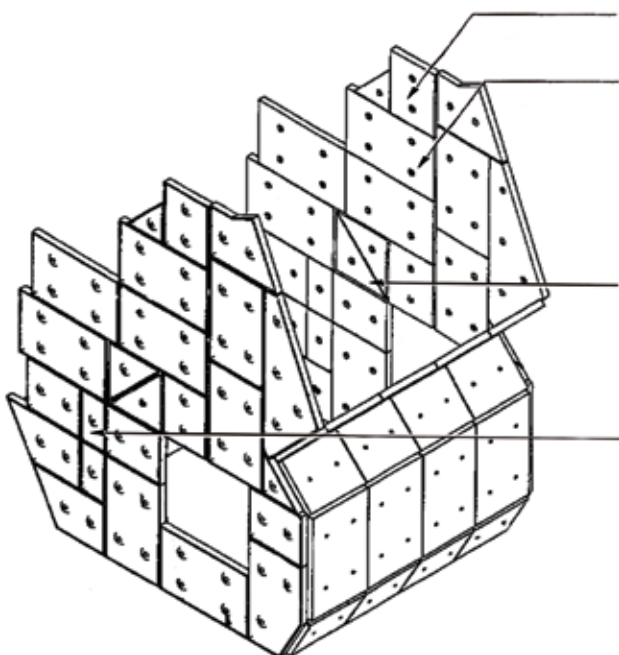
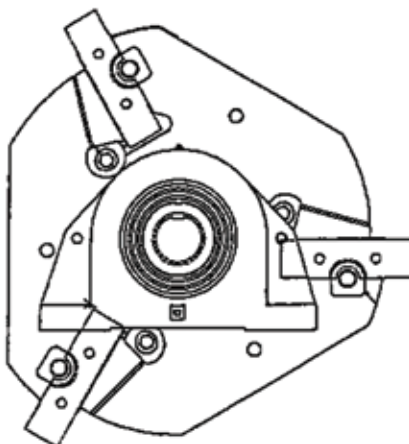
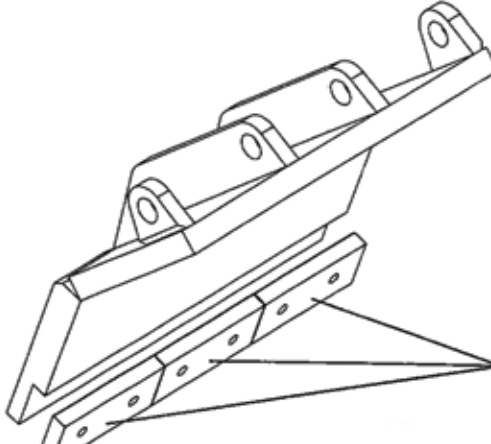




**SPOKANE  
INDUSTRIES**

# Kolberg Pioneer 4250

	Description	OEM	Spokane	# Needed
	Side Liner	224969	A010066H	10
	Side Liner	224902	A010067H	16
	Side Liner	227673	A01006800	4
	Side Liner	224972	A01006900	4
	Blow Bar	161501	A010040H	3
		161502	A010040M	3
			A010040L	3
	Impact Plate	184689	A010030L	3