

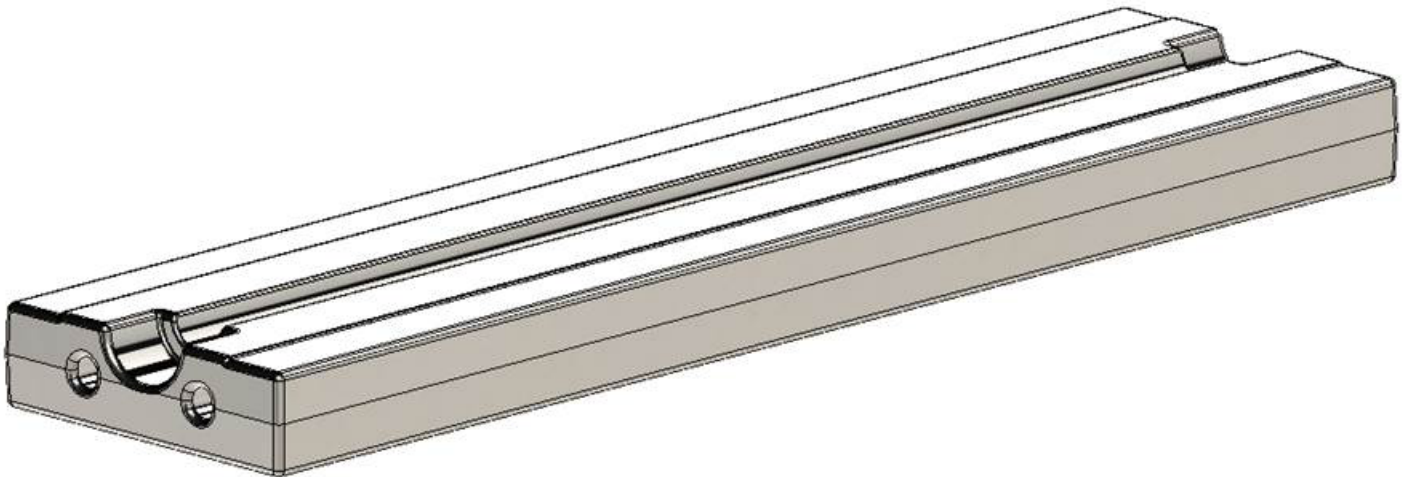


New Si-Tec ® Ceramic Blow Bar for
Kolberg Pioneer 4250

OEM Part # 190073, 338746

Spokane Part # A010040LS

Weight: 513 LBS



Also Available in Standard Chrome: A010040L

Si-Tec ® is a registered trademark for Spokane Industries Patented Ceramic Technology.

With the quality, support and delivery you can depend on.

Contact us for more information and for all your crusher wear parts needs:

castingsales@spokaneindustries.com

1-800-541-3601