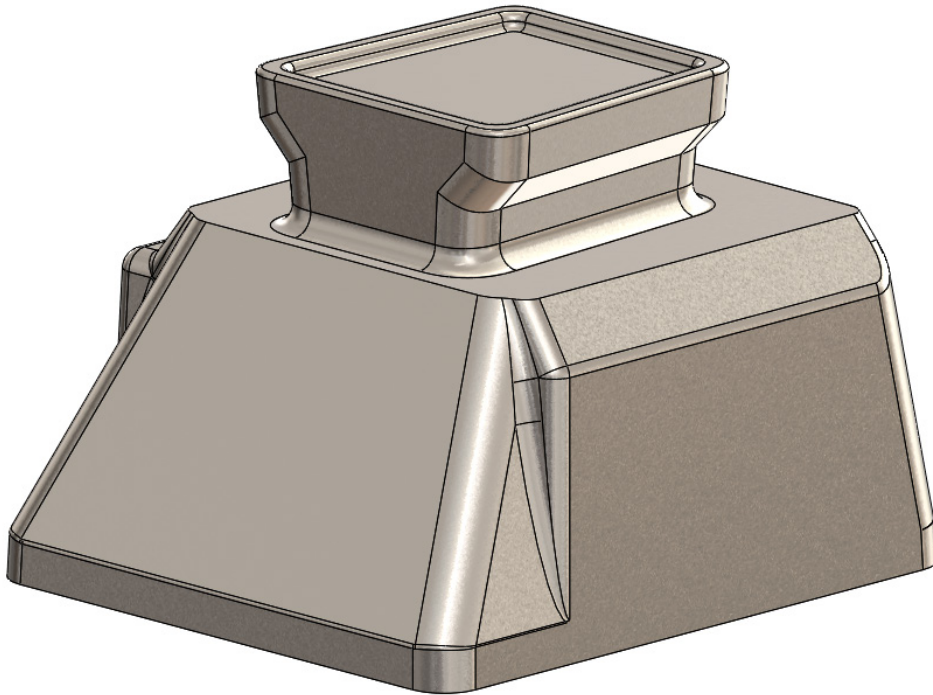




New Si-Tec® Ceramic Anvil for
Cedarapids 1800, El Jay 1800, and Spokane 66
OEM Part # 02-372-350-0000, 6310

Spokane Part # 3376310HS

Weight: 63 LBS



Also available in standard chrome: 3376310H

Si-Tec® is a registered trademark for Spokane Industries Patented Ceramic Technology

With the quality, support and delivery you can depend on.

Contact us for more information and for all your crusher wear parts needs:

castingsales@spokaneindustries.com

1-800-541-3601