



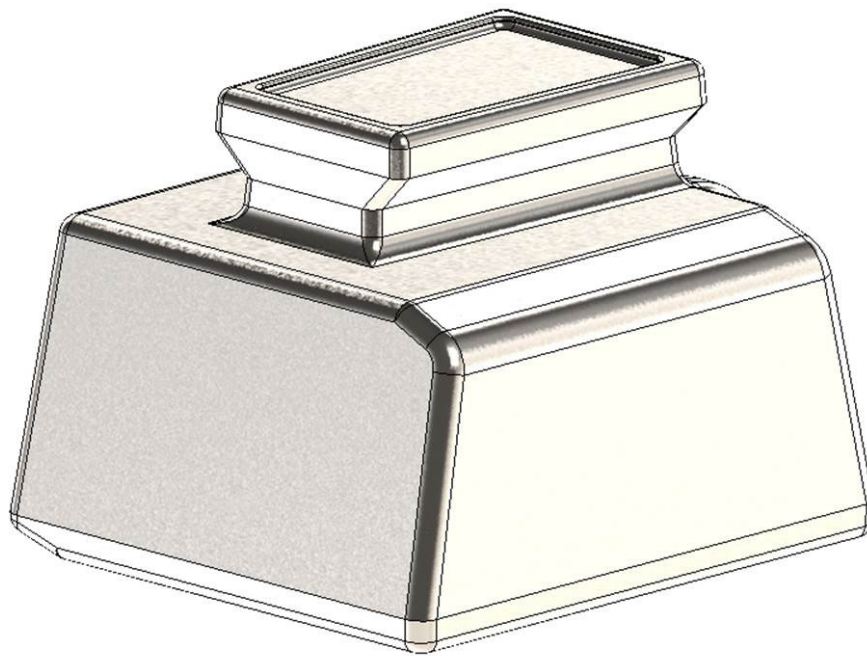
---

## New Si-Tec® Ceramic Anvil for ISC 103

*OEM Part # 9311*

Spokane Part # 0059311HS

Weight: 168 LBS



**Also available in standard chrome: 0059311H**

Si-Tec® is a registered trademark for Spokane Industries Patented Ceramic Technology

*With the quality, support and delivery you can depend on.*

**Contact us for more information and for all your crusher wear parts needs:**

**[castingsales@spokaneindustries.com](mailto:castingsales@spokaneindustries.com)**

**1-800-541-3601**